

WALL FLUSH-MOUNT SPEAKERS

PC-391, PC-391T

Thank you for purchasing TOA's Wall Flush-Mount Speaker.
Please carefully follow the instructions in this manual to ensure long, trouble-free use of your equipment.

1. SAFETY PRECAUTIONS

- Before installation or use, be sure to carefully read all the instructions in this section for correct and safe operation.
- Be sure to follow all the precautionary instructions in this section, which contain important warnings and/or cautions regarding safety.
- After reading, keep this manual handy for future reference.

WARNING

Indicates a potentially hazardous situation which, if mishandled, could result in death or serious personal injury.

- Install the unit only in a location that can structurally support the weight of the unit and the mounting bracket. Doing otherwise may result in the unit falling down and causing personal injury and/or property damage.
- Tighten each screw securely. Ensure that the bracket has no loose joints after installation to prevent accidents that could result in personal injury.
- Use the specified electrical box in combination. Doing otherwise may cause the unit or component to fall off, resulting in personal injury.

CAUTION

Indicates a potentially hazardous situation which, if mishandled, could result in moderate or minor personal injury, and/or property damage.

- Avoid touching the unit's sharp metal edge to prevent injury.
- Do not operate the unit for an extended period of time with the sound distorting. This is an indication of a malfunction, which in turn can cause heat to generate and result in a fire.

Traceability Information for Europe (EMC directive 2004/108/EC)

Manufacturer:
TOA Corporation
7-2-1, Minatojima Nakamachi, Chuo-ku, Kobe, Hyogo, Japan

Authorized representative:
TOA Electronics Europe GmbH
Suederstrasse 282, 20537 Hamburg, Germany

2. GENERAL DESCRIPTION

The PC-391 and PC-391T are flush-mount speakers. Their ideal applications include hotel and hospital rooms, and reception counters in the banks and clinics.

3. SPECIFICATIONS

Model Number	PC-391	PC-391T
Rated Input	3 W	
Rated Impedance	3.3 kΩ (3 W), 10 kΩ (1 W)	3.3 kΩ
Sound Pressure Level	86 dB (1 W, 1 m)	
Frequency Response	150 Hz – 18 kHz	
Speaker Component	7.7 cm cone-type speaker	
Attenuation	0 (OFF), 1 (–12 dB), 2 (–6 dB), 3 (0 dB)	
Applicable box	YC-150/150E (option) or equivalent	
Finish	Aluminum, hair line	
Dimensions	162 (w) x 115 (h) x 43 (d) mm (excluding the projected screw heads)	162 (w) x 115 (h) x 47 (d) mm (excluding the projected switch knob and screw heads)
Weight	560 g	600 g
Accessory	Machine screw M4 x 35 4, Oval head countersunk screw M3 x 10 4, Tapping screw 4 x 16 4	

Note: The design and specifications are subject to change without notice for improvement.

4. INSTALLATION

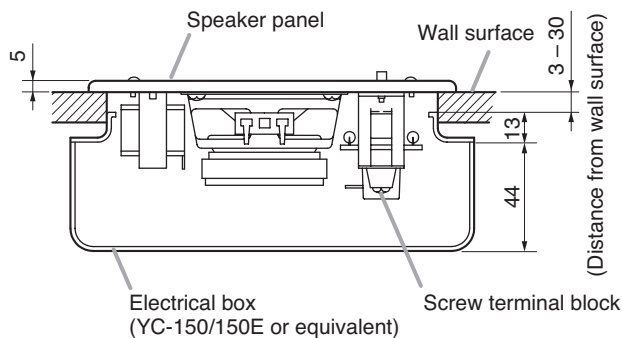
⚠ WARNING

When using an electrical box, be sure to use the optional YC-150, YC-150E or equivalent. Doing otherwise may cause the unit or component to fall off, resulting in personal injury.

Note

Ensure that the electrical box mounting surface is recessed 3 – 30 mm from the wall surface.

[View with the speaker installed in a wall]

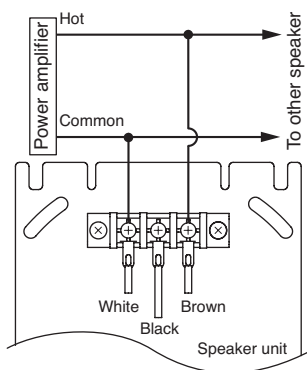


Unit: mm

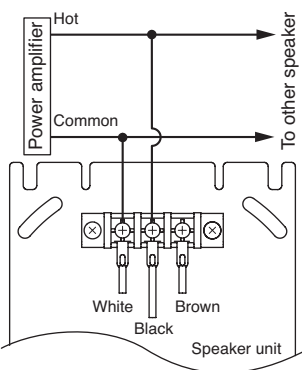
Note: Figure shows the PC-391T.

Step 1. Route the cables from the electrical box and connect them to the screw terminal block on the speaker unit.

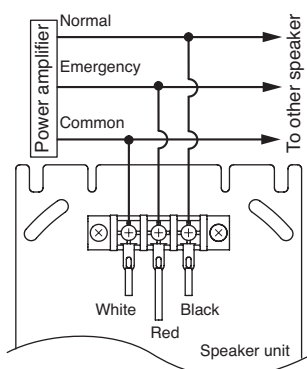
[Wiring diagram for the PC-391 (1 W)]



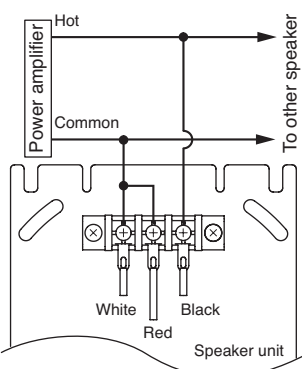
[Wiring diagram for the PC-391 (3 W)]



[Wiring diagram for the PC-391T (3-wire system)]



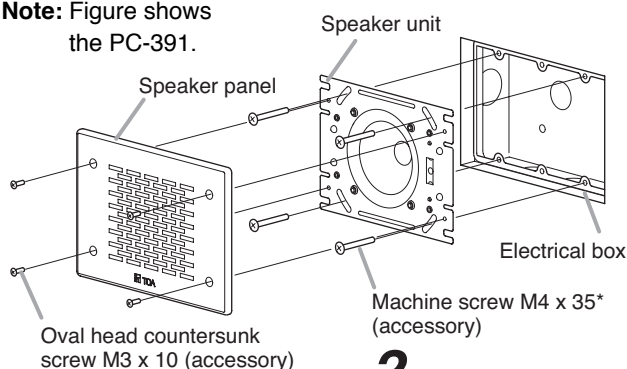
[Wiring diagram for the PC-391T (2-wire system)]



Step 2. Mount the speaker unit to the electrical box using the 4 supplied screws M4 x 35.

Step 3. Attach the speaker panel to the speaker unit using the 4 supplied screws M3 x 10.

Note: Figure shows the PC-391.

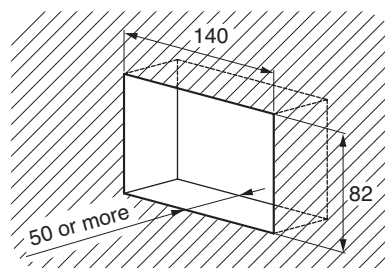


3

* When using an electrical box other than our YC-150 or YC-150E, use screws that are appropriate for that electrical box.

Note

The PC-391 or PC-391T can be flush mounted to the wall without using an electrical box. In this case, make a mounting hole in the wall as shown below. When installing the speaker to a wooden wall, use the supplied tapping screws.



Unit: mm

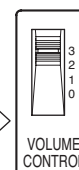
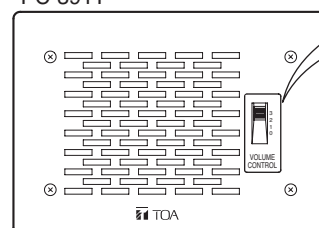
⚠ WARNING

To tightly hold the tapping screws in place, the wall material should be of strength equivalent to that of 5 mm or more thick plywood. Ensure in advance that the installation location can structurally support the weight of the speaker. Doing otherwise may result in the unit falling down and causing personal injury and/or property damage.

5. VOLUME CONTROL (PC-391T only)

Adjust the sound volume using the slide switch on the speaker panel.

PC-391T



Position of Switch	Volume
3	0 dB
2	-6 dB
1	-12 dB
0	OFF

URL: <http://www.toa.jp/>